

HOLD MAGNET in housing

Technical File
T 13509 C

VENB

Description - General information

Electromagnetic hold magnet in housing 20 and 50 daN for break in current mode
20 and 40 daN for transmission of current mode.

Mounted on a fixed surface, the hold magnet ensures the magnetic hold of a mobile element by attaching to its supporting keeper-plate.

This element can be released either by an electric command :

- by a break in current on "break in current" models
 - by tensioning on "transmission of current" models
- or manually, by applying a force superior to the "holding force".

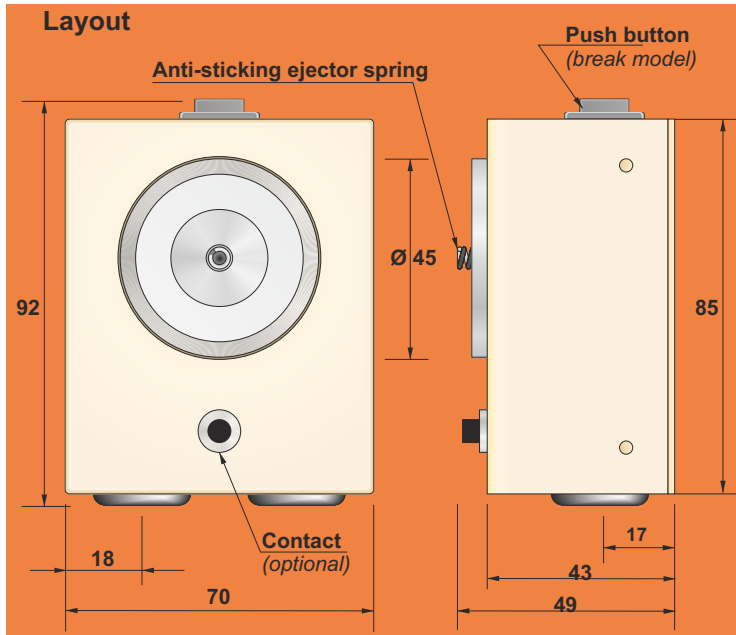
Return to the "holding" status is carried out by placing the mobile element back in its original position.

A position contact is optional.

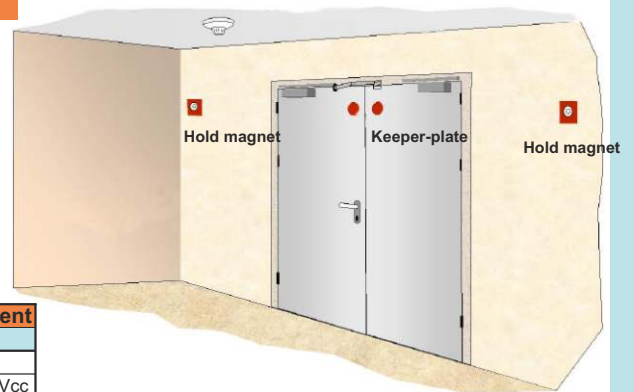
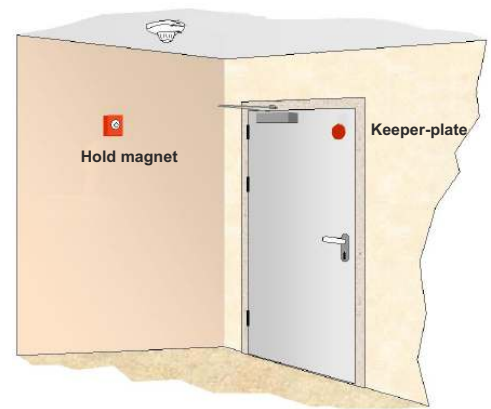


VENB

Layout



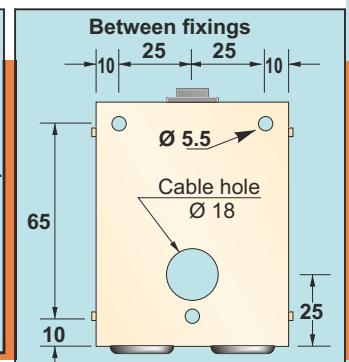
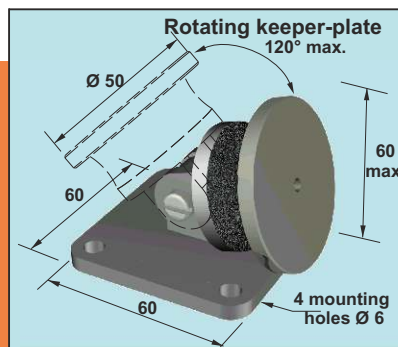
Examples of installation



Triggering mode :	Break in current		Transmission of current	
Holding force :	20 daN	50 daN	20 daN	40 daN
Minimum effort for disconnecting (0V) :	3 daN	7,5 daN	3 daN	6 daN
Tension (Un) :	24 Vcc / 48 Vcc	24 Vcc / 48 Vcc	24 Vcc / 48 Vcc	24 Vcc / 48 Vcc
Consumption (W) :	1.1 W	1.8 W	2.5 W	2.5 W
References :	VENB2024R	VENB5024R	VENB2024E	VENB5024E
	VENB2048R	VENB5048R	VENB2048E	VENB5048E

Technical Characteristics

Material : Steel, magnet ABS.
Protection : Epoxy, RAL9001
Protection index : IP42
Temperature : 130°C max
Precautions : Stock and install away from bad weather conditions.



DUPUY EQUIPEMENTS

Les Ajeux - 72400 La Ferté Bernard - France
Tel. : +33 (0)2 43 60 78 60 - Fax : +33 (0)2 43 93 41 94
e-mail : clients@de72.fr



www.dupuy-equipements.com

