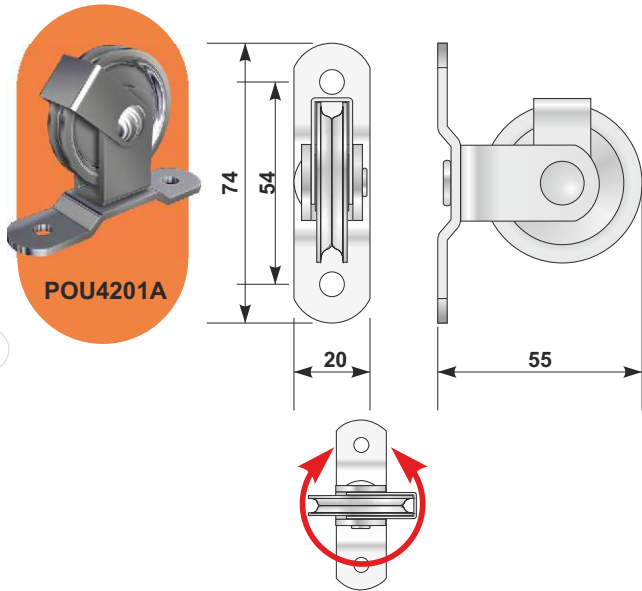


POU4201A - POU4202A - POU4205A

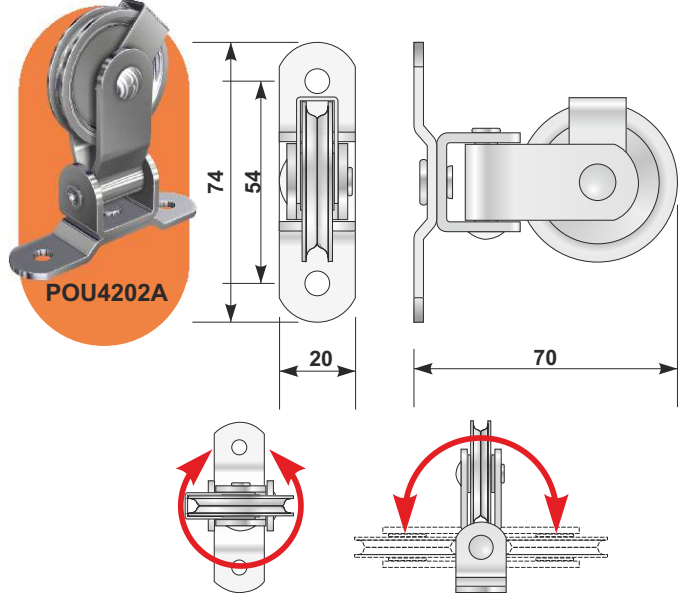
Description - General information

Steel pulley with barrier ring to keep the cable in place.
Enables a cable to run between a skylight and a control device, such as a winch.

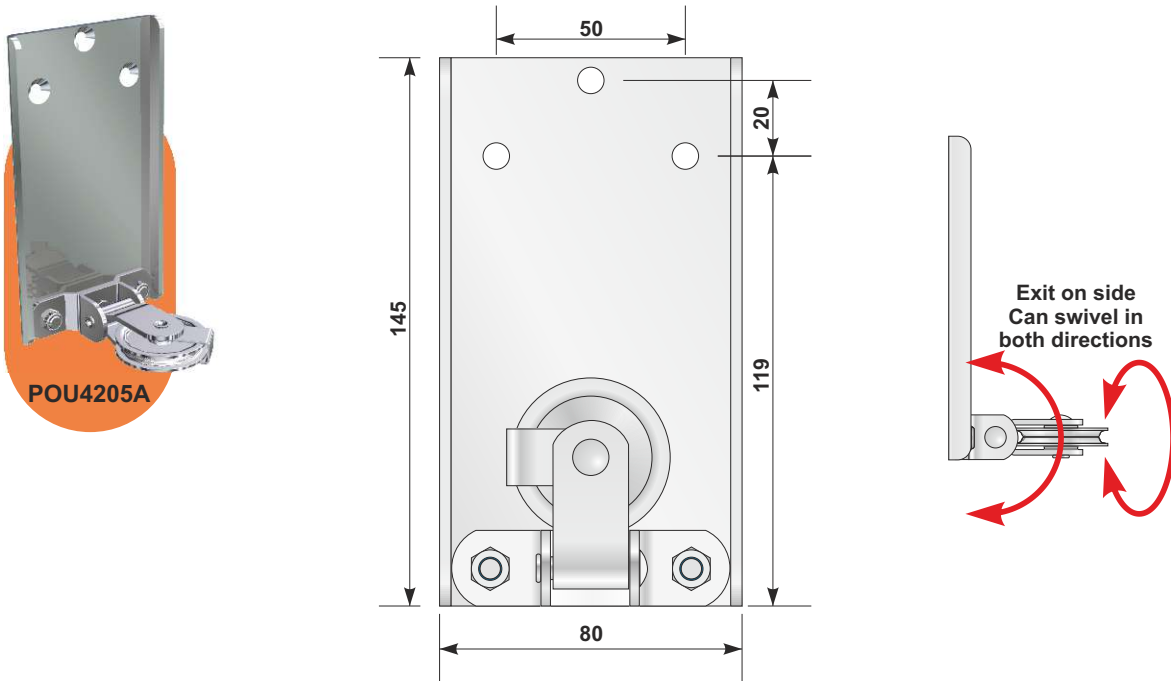
Fixed pulley with swivelling support



Articulated pulley with swivelling support



Articulated pulley with swivelling support and offset fixing



Technical Characteristics

Material : Steel - bronze.
Protection : Zinc coating.
Traction force : Max. 300daN.
Cable diameter : 3mm maxi.
Pulley diameter : Exterior Ø42mm, groove base Ø32mm.
Precautions : Stock and install away from bad weather conditions .

DUPUY EQUIPEMENTS

Les Ajeux - 72400 La Ferté Bernard - France
Tel. : +33 (0)2 43 60 78 60 - Fax : +33 (0)2 43 93 41 94
e-mail : clients@de72.fr



www.dupuy-equipements.com

