

LOCK for Sliding DOOR

Electric, 24 and 48Vcc

Technical File
T 14508 C

VER829024E - VER829024R - VER829048E - VER829048R

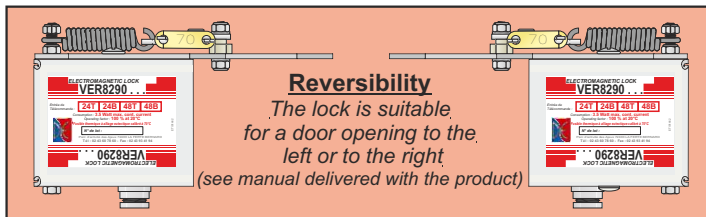
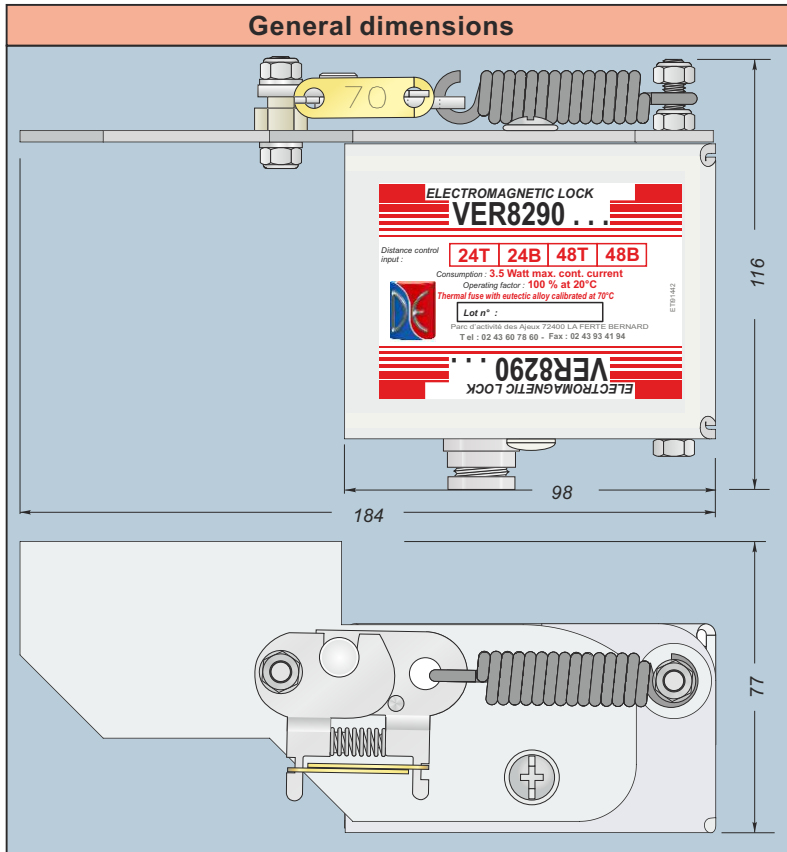
Description - General Information

Lock designed to keep a sliding door or a partition damper open.
Manual resetting after reactivation of the distance control line.
Triggering is carried out by either

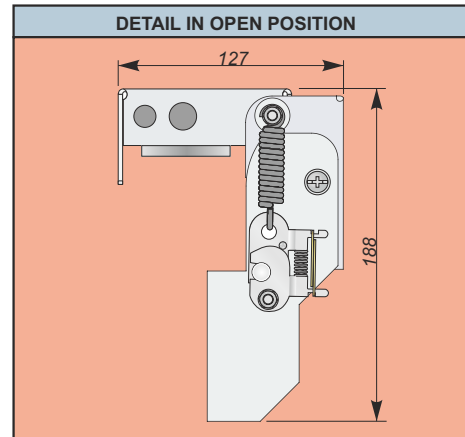
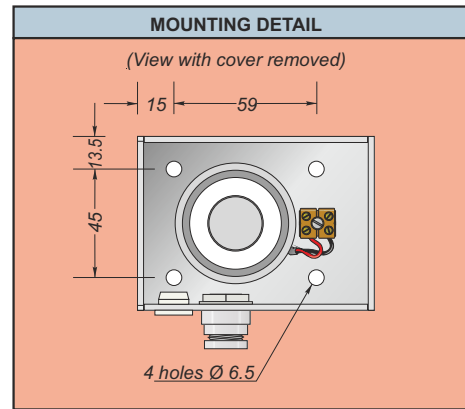
- electric distance control, from an ADA or FSCC
- or - automatically by fuse break.

Available with position contact. (MODC8290)

Also available with other thermal release temperatures.



Reference	Voltage (Vcc)	Mode	Consump. (W)
VER829024E	24	Transm.	3.5
VER829024R	24	Break	1.6
VER829048E	48	Transm.	3.5
VER829048R	48	Break	1.6



Technical Characteristics

- Material : Steel, aluminium, tin.
- Protection : Galvanization.
- Protection index : IP42.
- Energy : 24V or 48V cont. current S.E.L.V.
- Distance control input : Electric or automatic (70°C).
- Temperature : -20°C to +50°C.
- Holding force of the magnet : 50daN.
- Electric distance control input : Electromagnetic magnet operated by transmission or break in current.
Operating factor : 100% at an ambient temperature of 20°C ± 5°C.
Supply voltage (Un) : 24 or 48 volt cont. current S.E.L.V.
Consumption under (Un) : 3.5 W (24 or 48 Vcc transmission).
1,6 W (24 or 48 Vcc break)
- Options : Dry contact for return to position.
- Precautions : Stock and install away from bad weather conditions.

DUPUY EQUIPEMENTS
Les Ajeux - 72400 La Ferté Bernard - France
Tel. : +33 (0)2 43 60 78 60 - Fax : +33 (0)2 43 93 41 94
e-mail : clients@de72.fr



www.dupuy-equipements.com

LOCK for Sliding DOOR

Electric, 24 and 48Vcc

VER829024E - VER829024R - VER829048E - VER829048R

Example of how it works

