

ELECTRIC CYLINDER 24V

Technical File
T 10002 B

Direct current, stroke 350 to 750

VEC24C

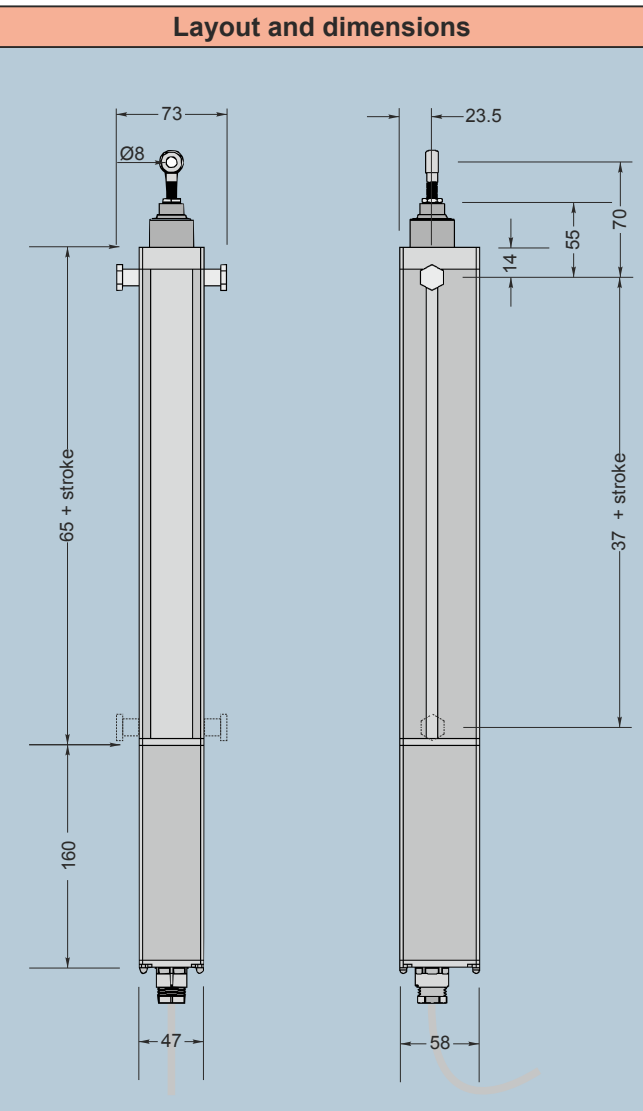
Description - General Information

Electric cylinder used to open and/or close skylight openings, facade windows, traps, etc... by means of an electric command. The stopping point of the cylinder is controlled by integrated end of stroke contacts.

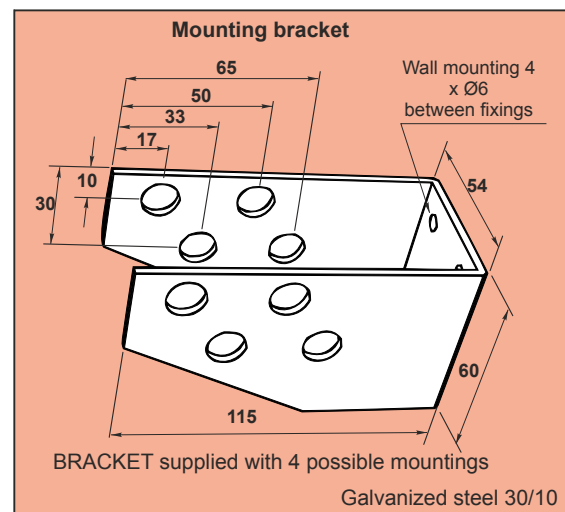
In the case of overload, the cylinder is protected by its electronic circuit breaker.

Supplied with mounting bracket

The bracket is fixed to the rails on either side of the cylinder.



Reference	Consump. (A)	Force (N)	No-load speed (mm/s)
VEC24C0950	4	950	30
VEC24C0400	2	400	30
VEC24C0450	0.8	450	11
VEC24C0600	1	600	11
VEC24C0650	0.8	650	8
VEC24C0720	2	720	15
VEC24C0850	1	850	8
VEC24C1000	0.8	1000	4.5
VEC24C1400	4	1400	15
VEC24C1500	1	1500	4.5
VEC24C1550	4	1550	15



Technical Characteristics

- Material : Synthetic, aluminium and steel.
- Stroke : 350, 550 and 750 mm.
- Power supply : 24 V direct.
- Connection : Section according to model, length 1.10 m.
- Consumption : According to model.
- Protection index : IP54 according to DIN EN60529.
- Temperature : from -20°C to +100°C maximum, normal +60°C.
- Thermal protection : Electronic, incorporated in the cylinder.
- Precautions : Stock and install away from bad weather conditions.

ALL RIGHTS RESERVED. OUR PRODUCTS MAY BE SUBJECT TO MODIFICATION. THEREFORE THIS DOCUMENT CANNOT BE CONSIDERED CONTRACTUAL. ALL MODELS ARE PATENTED. DO NOT LITTER THE PUBLIC HIGHWAY

DUPUY EQUIPEMENTS

Les Ajeux - 72400 La Ferté Bernard - France
Tel. : +33 (0)2 43 60 78 60 - Fax : +33 (0)2 43 93 41 94
e-mail : clients@de72.fr



www.dupuy-equipements.com

