

LOCK for Swing DOOR

eutectic alloy fuse

Technical File
T 14522 E

VER810070

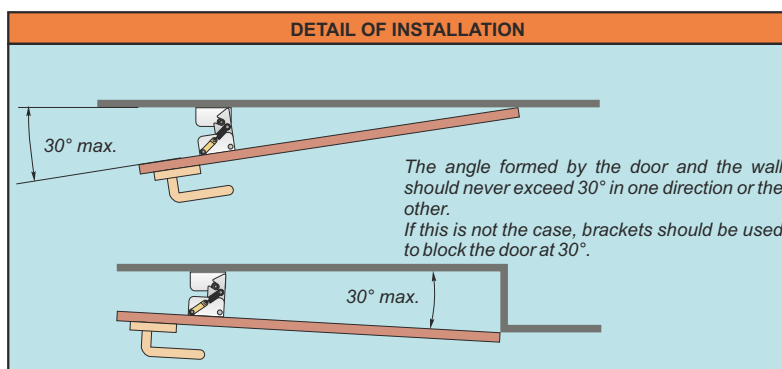
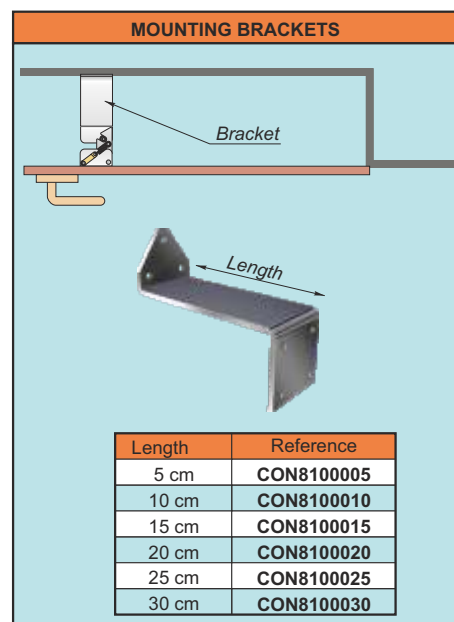
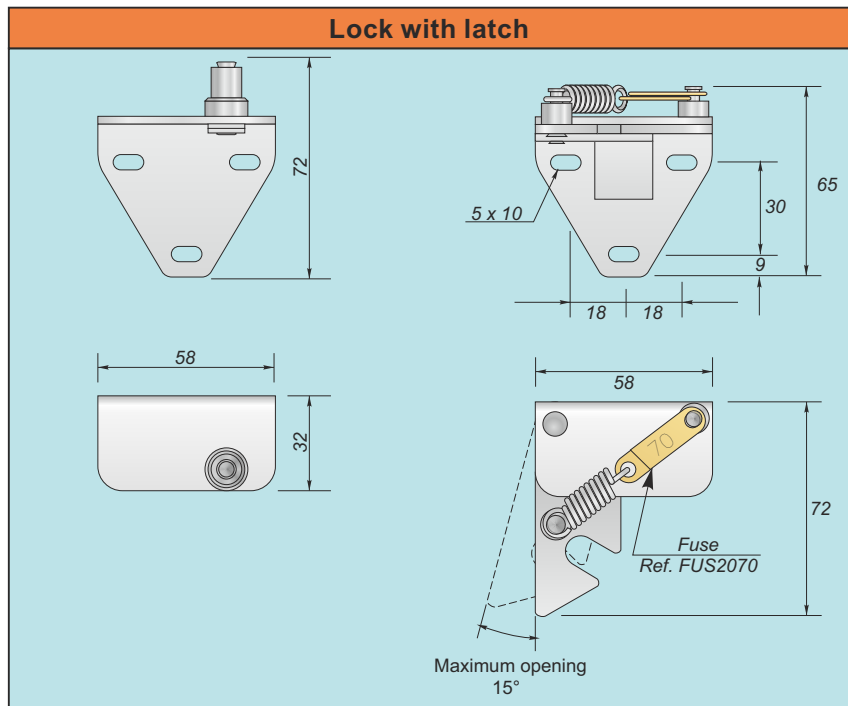
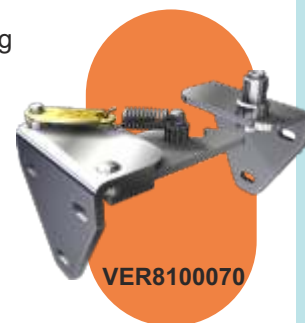
Description - General Information

Lock designed to keep a swing door or sliding door open, with automatic closing triggered by a rise in temperature.

It can also function manually.

Triggering is carried out either,

- manually by traction,
- or - automatically by thermal trigger.



Technical Characteristics

- Material : Steel.
- Protection : White zinc coating.
- Triggering : Manual or automatic (70°C).
- Temperature : -20°C to +50°C.
- Precautions : Stock and install away from bad weather conditions.

ALL RIGHTS RESERVED. OUR PRODUCTS MAY BE SUBJECT TO MODIFICATION. THEREFORE THIS DOCUMENT CANNOT BE CONSIDERED CONTRACTUAL. ALL MODELS ARE PATENTED. DO NOT LITTER THE PUBLIC HIGHWAY



LOCK for Swing DOOR

eutectic alloy fuse

VER810070

Example of how it works

