

ELECTRIC CYLINDER 230V

Technical File
T 10001 E

Alternative current, force 500N

VEA5 . . . -01

Description - General Information

Electric cylinder used to open and/or close skylight openings, facade windows, traps, etc... by means of an electric command.

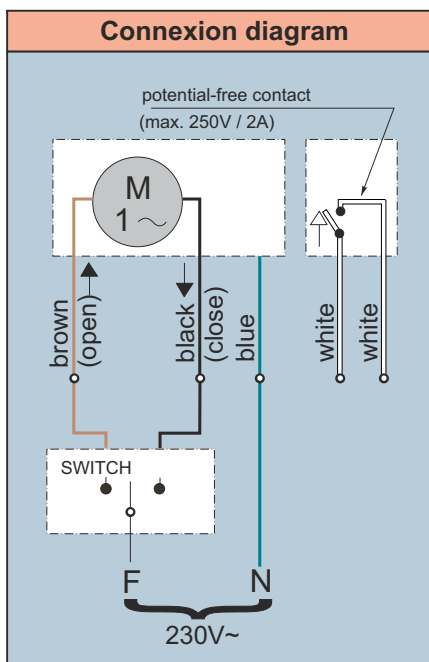
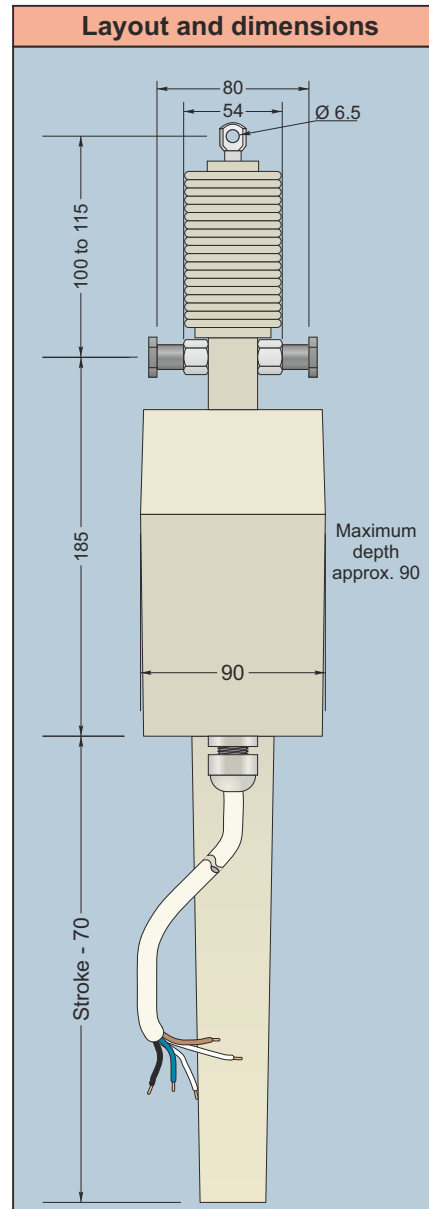
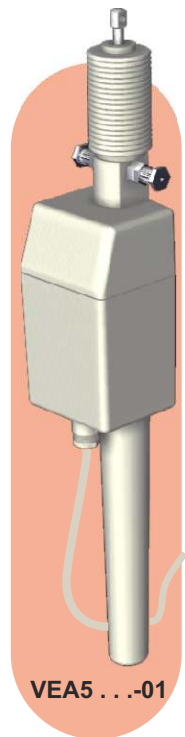
The stopping point of the cylinder is controlled by integrated end of stroke contacts. The installation in parallel of several cylinders is possible.

In the case of an increase in temperature, the cylinder is protected by its thermal circuit breaker until return to a normal working temperature.

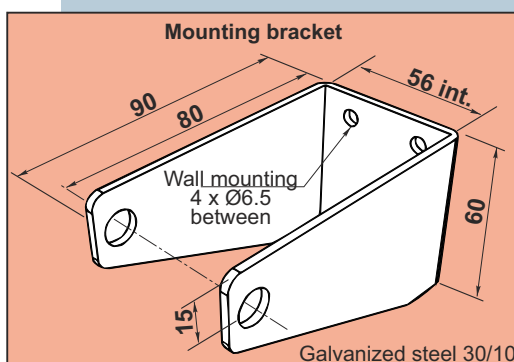
Its very robust design and its synthetic casing mean it can be installed in 'difficult environments' (damp, dusty, all types of eventual projections ...)

Supplied with mounting bracket

Protection bellows for the piston rod for stroke of 300 mm.



Technical Characteristics



Material	: Synthetic and steel.
Colour	: RAL 7035
Stroke	: 300, 500 and 750 mm.
Power supply	: 230 V~ / 50 Hz.
Connection	: Cable 5 x 0,75 ² , length 1.50 m.
Consumption	: 0,1 A / 230 V~.
Protection index	: IP54 according to DIN En60529.
Temperature	: +60°C maximum
Interference suppression	: N according to DIN VDE 0875.
Thermal protection	: Incorporated in the cylinder.
Impulse / traction force	: 500N.
Speed	: 10mm/s.
Precautions	: Stock and install away from bad weather conditions.

DUPUY EQUIPEMENTS

Les Ajeux - 72400 La Ferté Bernard - France
Tel. : +33 (0)2 43 60 78 60 - Fax : +33 (0)2 43 93 41 94
e-mail : clients@de72.fr



www.dupuy-equipements.com

