

Glass Phials

Technical File
T03509C

AMP685 - AMP935 - AMP1415 - AMP1825

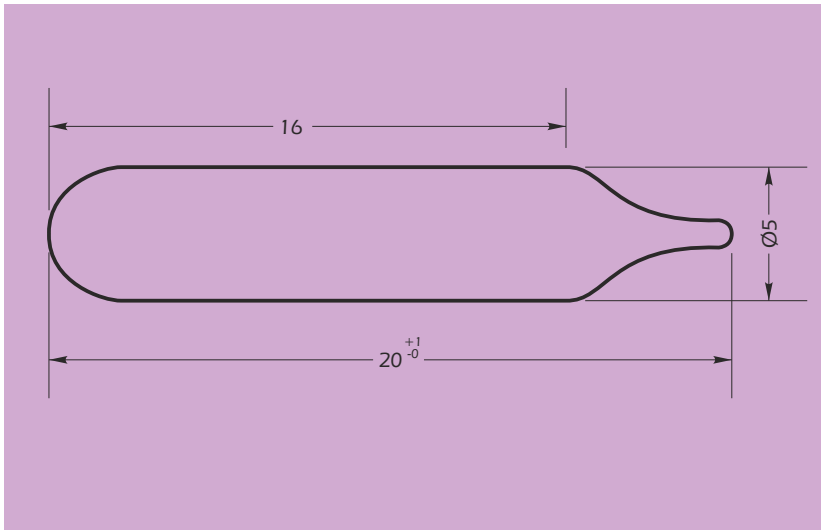
Description - General information

The glass phials contain an alcohol-based liquid.

This liquid is heat sensitive and reacts to a rise in temperature. It does not need an external power supply to set it in motion.

In the case of a rise in temperature, the alcohol in the phial dilates causing the glass to shatter.

This autonomous element is used, as the sensitive element in thermal, mechanical and pneumatic triggers which are installed in Natural Smoke and Heat Exhaust Ventilators (SHEVs), such as skylights, windows, apertures etc...



Reference	Triggering Temperature	Colour
AMP685	68°	Red
AMP935	93°	Green
AMP1415	114°	Blue
AMP1825	182°	Purple

Technical Characteristics

Material : Alcohol - glass.

Triggering temperature : Depending on model (68°, 93°, 141° and 182°C).

Protection : Stock and install away from bad weather conditions.



68°C
red

93°C
green

141°C
blue

182°C
purple



When it has been put into place, be careful not to damage the fine tip of the phial.

ALL RIGHTS RESERVED. OUR PRODUCTS MAY BE SUBJECT TO MODIFICATION. THEREFORE THIS DOCUMENT CANNOT BE CONSIDERED CONTRACTUAL. ALL MODELS ARE PATENTED. DO NOT LITTER THE PUBLIC HIGHWAY.

DUPUY EQUIPEMENTS

Les Ajeux - 72400 La Ferté Bernard - France

Tel. : +33 (0)2 43 60 78 60 - Fax : +33 (0)2 43 93 41 94

e-mail : clients@de72.fr



www.dupuy-equipements.com

