

LOCK for SKYLIGHT WINDOW

Technical File
T 14501 G

Electric, 24 and 48Vcc

VER801024E - VER801024R - VER801048E - VER801048R

Description - General Information

Lock designed to keep a smoke and heat exhaust outlet (S.H.E.V.) closed. It can be manually or distance controlled.

It can be mounted in tandem on all windows with a width of more than 1200 mm.

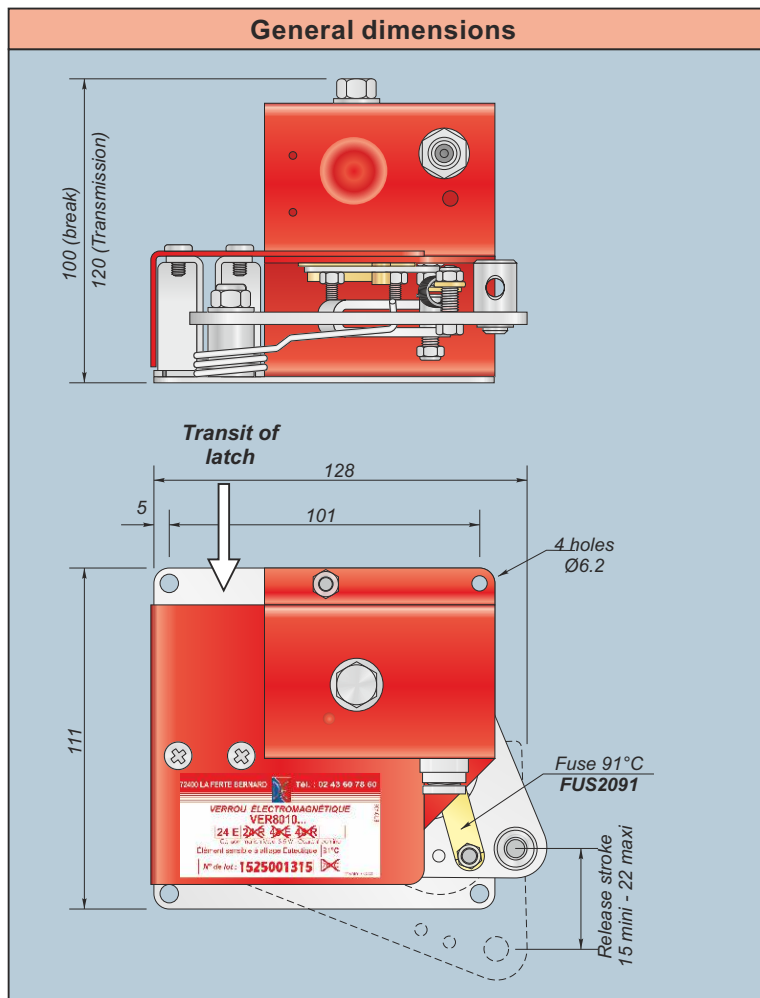
It is triggered either,

- by electric distance control, from an ADA or FSCC
- manually by traction of a steel cable
- automatically by fuse break.



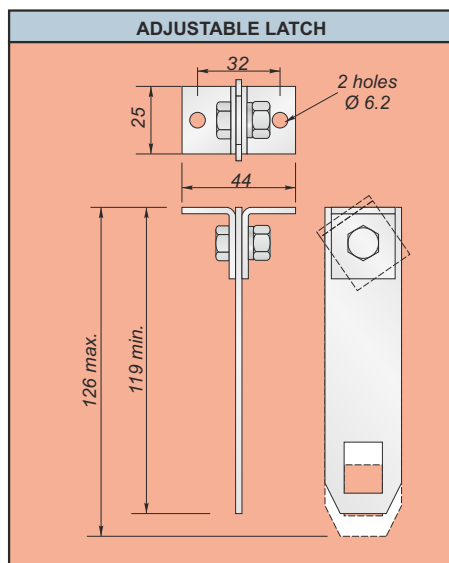
VER8010 . . .

General dimensions

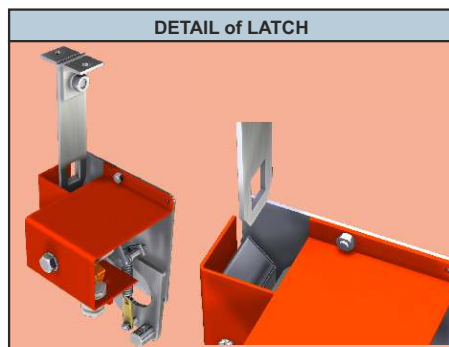


Reference	Voltage (Vcc)	Mode	Consump. (W)
VER801024E	24	Transm.	1.6
VER801024R	24	Break	1.0
VER801048E	48	Transm.	1.6
VER801048R	48	Break	1.0

ADJUSTABLE LATCH



DETAIL of LATCH



Technical Characteristics

- Material : Steel, aluminium, tin.
 Protection : White zinc coating, RAL3000 (cover).
 Energy : 24v or 48v cont. current S.E.L.V. / Manual
 Distance control input : Manual by electric cable, or automatic (91°C).
 Release stroke of the cable : from 15 to 22 mm.
 Temperature : -20°C to +50°C.
 Electric distance control input : Rotating electromagnetic trigger by transmission or break in current.
 Operating factor : 100% at an ambient temperature of 20°C ± 5°C.
 Supply voltage (Un) : 24 or 48 volts cont. current S.E.L.V.
 Consumption under (Un) : 1.6 W (24 or 48 Vcc transmission).
 1,0 W (24 or 48 Vcc break)
- Precautions : Stock and install away from bad weather conditions.

DUPUY EQUIPEMENTS

Les Ajeux - 72400 La Ferté Bernard - France
 Tel. : +33 (0)2 43 60 78 60 - Fax : +33 (0)2 43 93 41 94
 e-mail : clients@de72.fr



www.dupuy-equipements.com

