

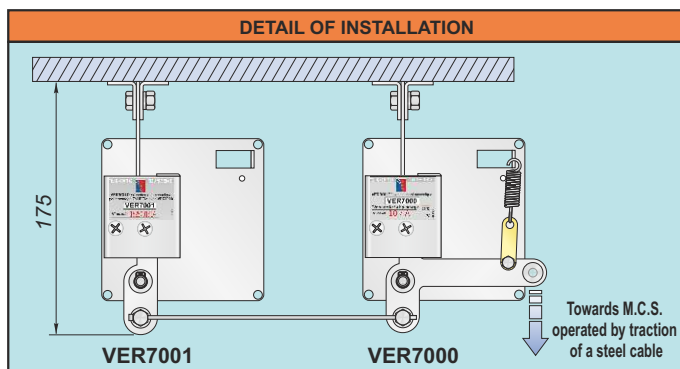
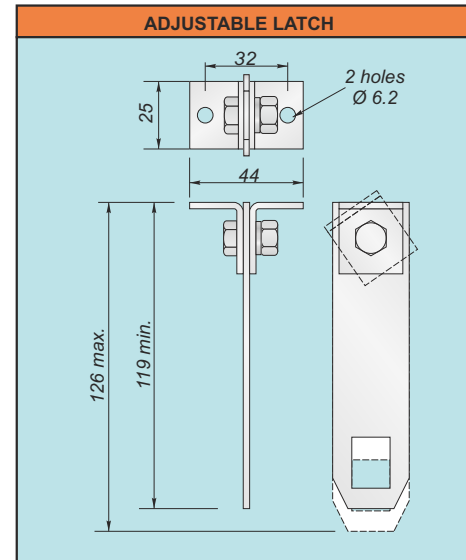
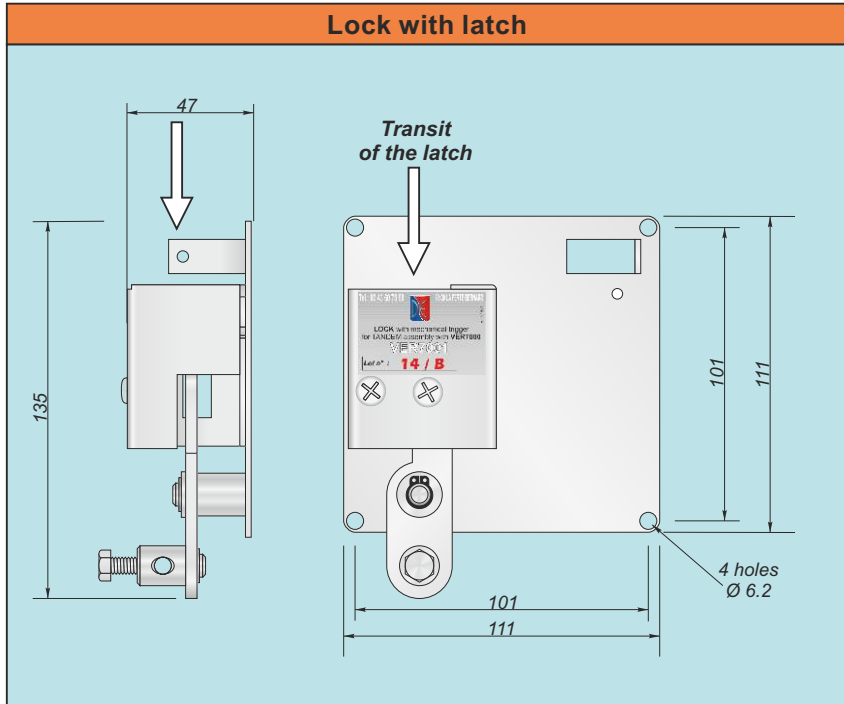
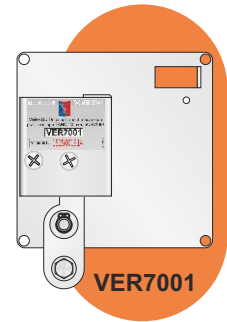
LOCK for Mechanical SKYLIGHT WINDOW, tandem mounting

VER7001

Technical File
T 14517 D

Description - General Information

Lock designed to keep a smoke and heat exhaust skylight window (S.H.E.V.) closed.
Manual control by traction of a steel cable.
It can be installed in tandem on all windows with a width of more than 1200 mm.
Manual closing of the window is required with this lock.
Triggering is mechanical by traction of a steel cable.



Technical Characteristics

Material : Steel.
Protection : White zinc coating.
Triggering : Tandem mounting only, functions with VER700 and VER8010.
Cable release stroke : from 15 to 22 mm.
Temperature : -20°C to +50°C.
Distance control input : By steel cable Ø 3 mm maximum.
Precautions : Stock and install away from bad weather conditions.

DUPUY EQUIPEMENTS

Les Ajeux - 72400 La Ferté Bernard - France
Tel. : +33 (0)2 43 60 78 60 - Fax : +33 (0)2 43 93 41 94
e-mail : clients@de72.fr



www.dupuy-equipements.com

