

LOCK for Mechanical SKYLIGHT WINDOW

Technical File
T 14516 C

VER7000

Description - General Information

Lock designed to keep a smoke and heat exhaust skylight window (S.H.E.V.) closed.

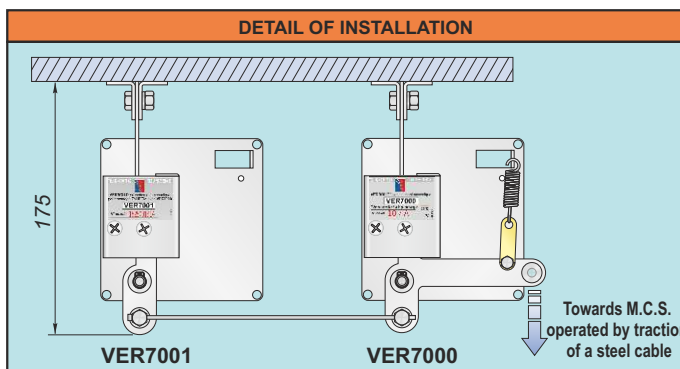
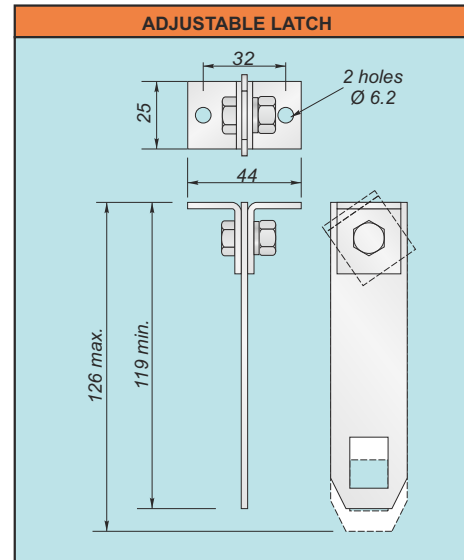
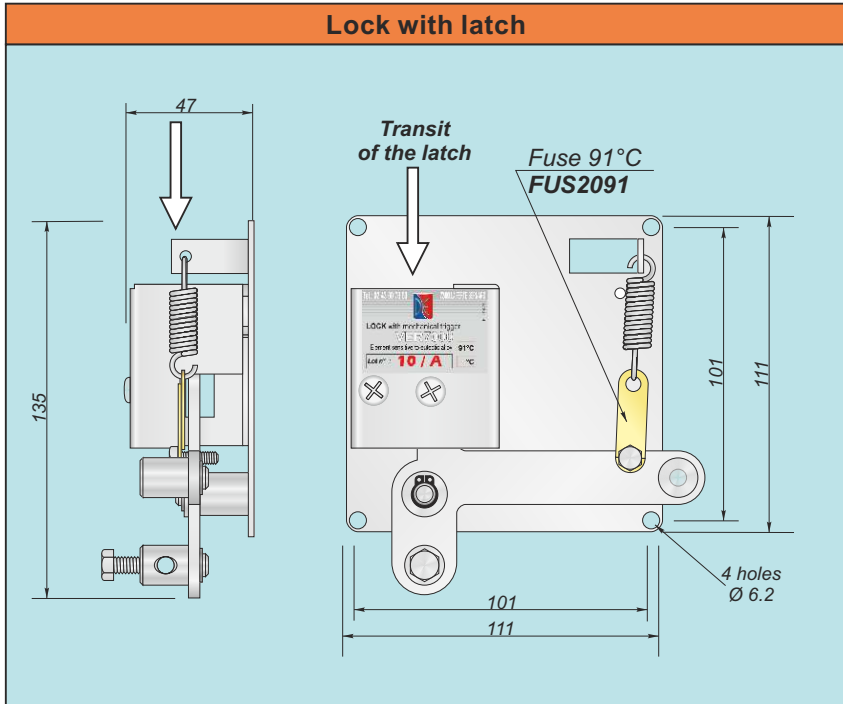
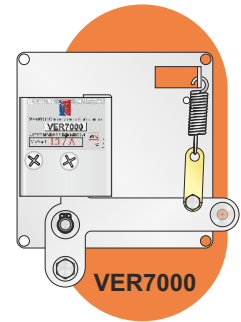
Manual control by traction of a steel cable.

It can be installed in tandem on all windows with a width of more than 1200 mm.

Manual closing of the window is required with this lock.

Triggering is carried out either,

- mechanically, by traction of a steel cable
- or - automatically by a thermal trigger.



Technical Characteristics

- Material : Steel.
- Protection : White zinc coating.
- Triggering : Manual or automatic (91°C), tandem with VER7001.
- Cable release stroke : From 15 to 22 mm.
- Temperature : -20°C to +50°C.
- Distance control input : By steel cable Ø 3 mm maximum.
- Precautions : Stock and install away from bad weather conditions.

DUPUY EQUIPEMENTS

Les Ajeux - 72400 La Ferté Bernard - France

Tel. : +33 (0)2 43 60 78 60 - Fax : +33 (0)2 43 93 41 94

e-mail : clients@de72.fr



www.dupuy-equipements.com

